

**CALIFORNIA
UMBRELLA**

INSTRUCTION MANUAL
SOLANA SERIES
SOLA118-001 / SOLA338-001



Question about your product? Visit www.californiaumbrella.com and chat with us today.

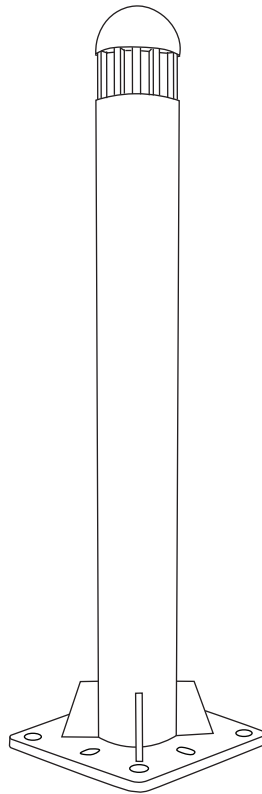
COMPONENTS

Cantilever Box

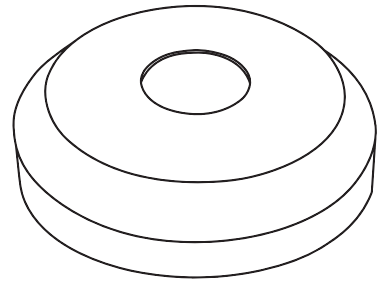
1 Cantilever



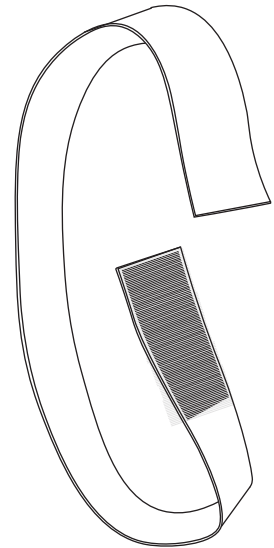
2 Base Tube



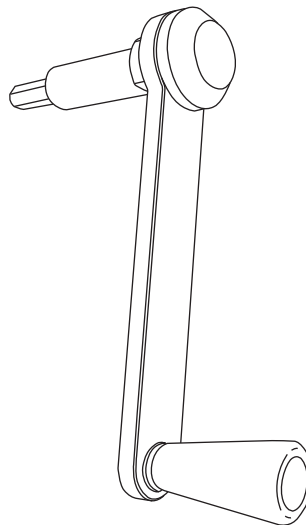
3 Base Tube Cover



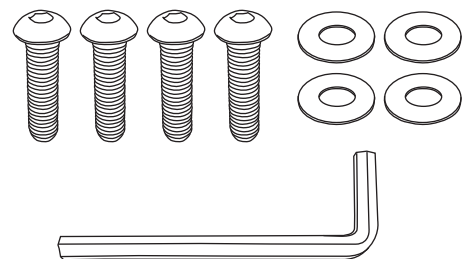
4 Wind Tie (located on the underside of canopy)



5 Crank Key



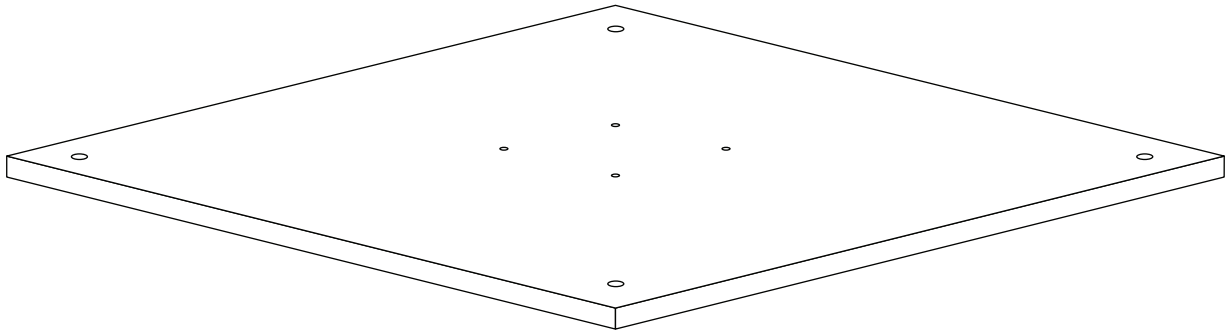
6 Bolts x4, Washers x4
Hex key x1



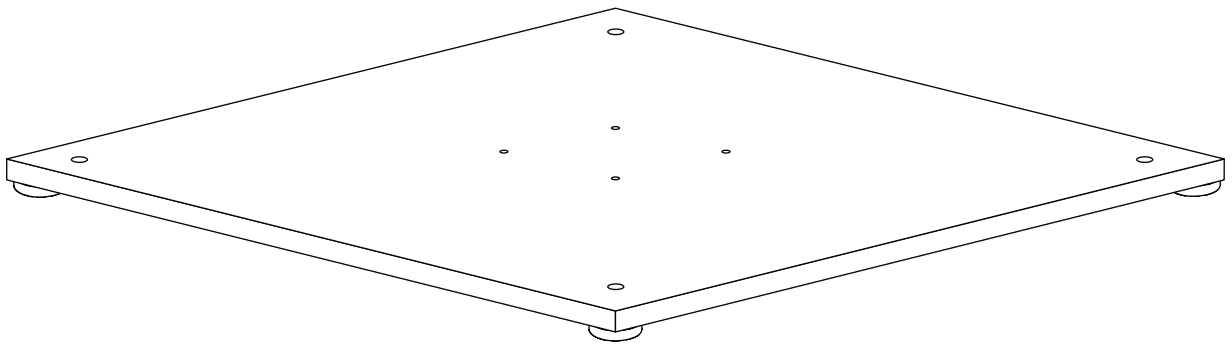
COMPONENTS

Base Plate Box

1 Upper Base Plate

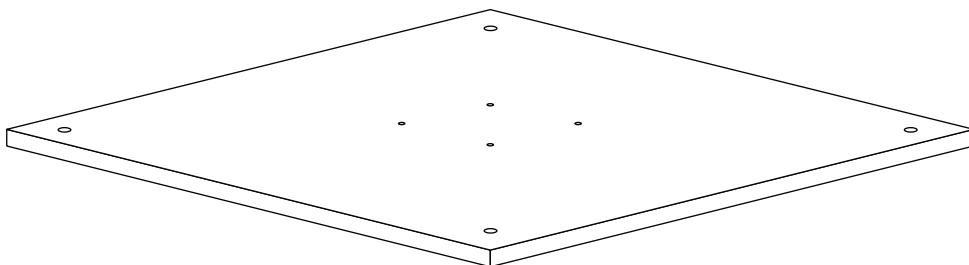


2 Bottom Base Plate

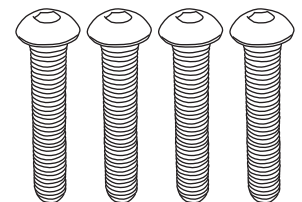


If Applicable | Add-on Base Plate Box

1 Add-on Upper Base Plate



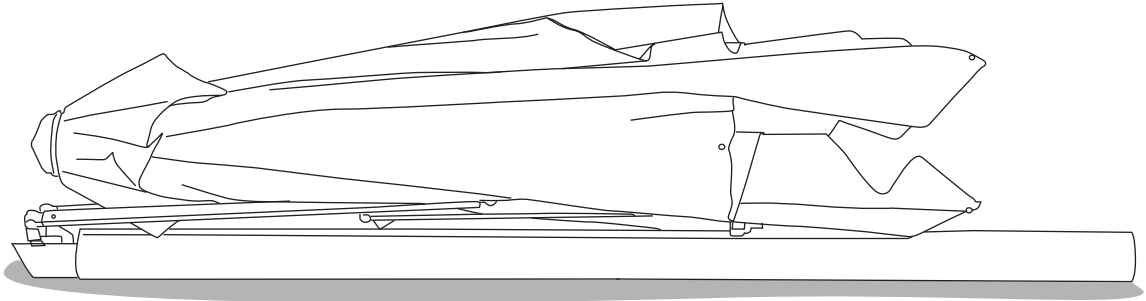
2 Extended Bolts x4
Hex Key x1



INSTALLATION

Step 1

Remove Cantilever and components from box. Be sure all packaging has been removed from around your umbrella.

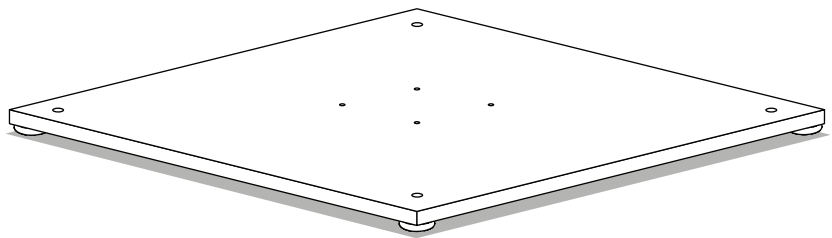


Step 2

Remove Bottom Base Plate completely from packaging and place in the desired location, with the rubber feet touching the ground.

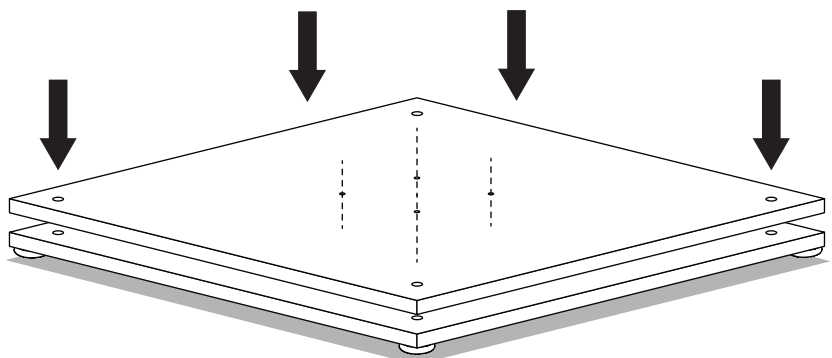
WARNING

*Each base plate weighs approximately **175 lbs.** and it is highly recommended that **4 people** are used to lift and move each plate to avoid injury.*



Step 3

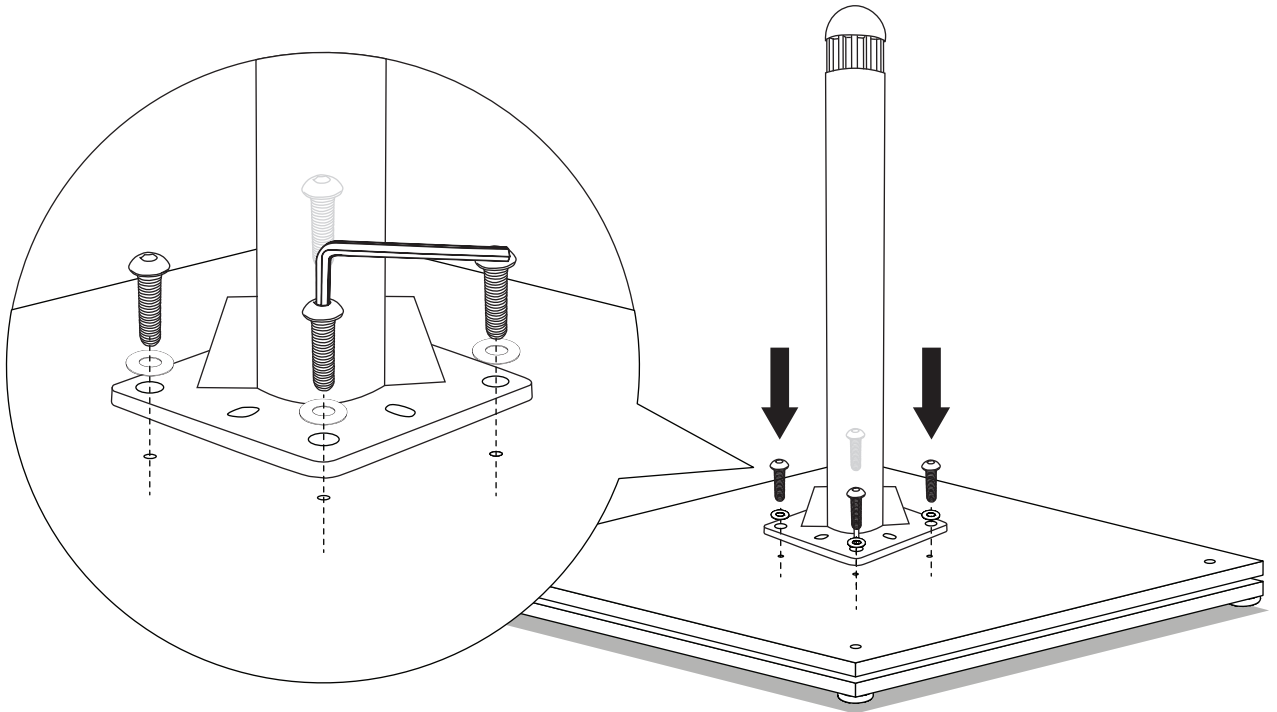
Remove Upper Base Plate completely from packaging and place on top of the Bottom Base Plate with the holes in the middle of each plate aligned.



INSTALLATION

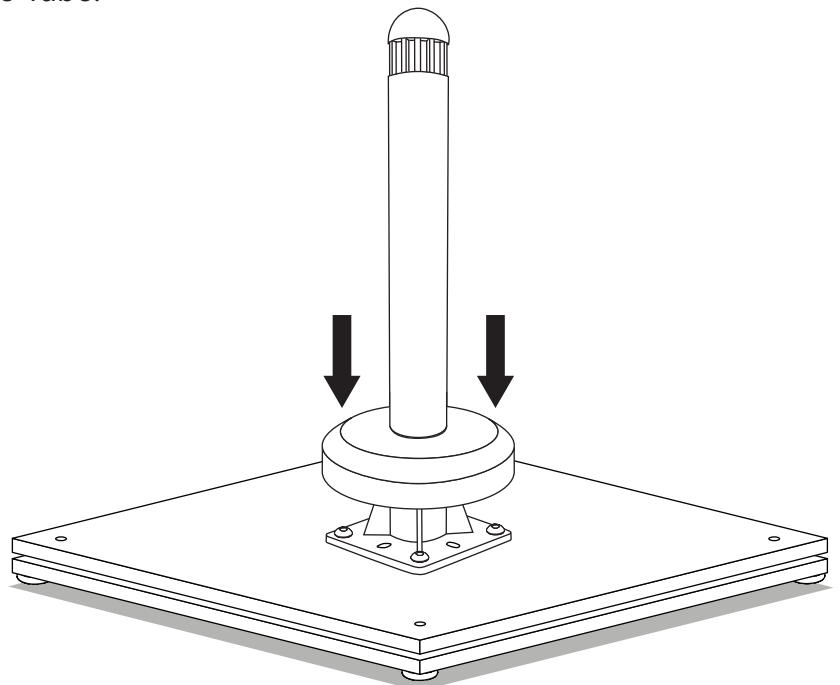
Step 4

Once the 4 center holes of the top plate are aligned above the 4 center holes of the bottom plate, you will place the base tube on top of the holes. Use the bolts and washers to firmly attach the base tube to the base plates.



Step 5

Place your Base Tube Cover over the Base Tube.



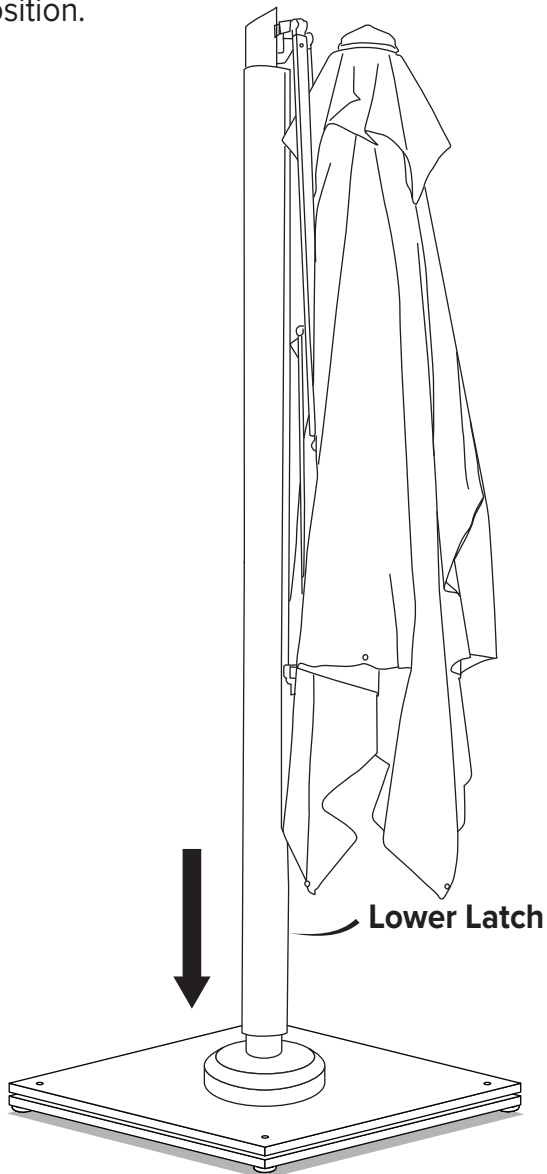
INSTALLATION

Step 6

Place your Cantilever on top of the base tube.

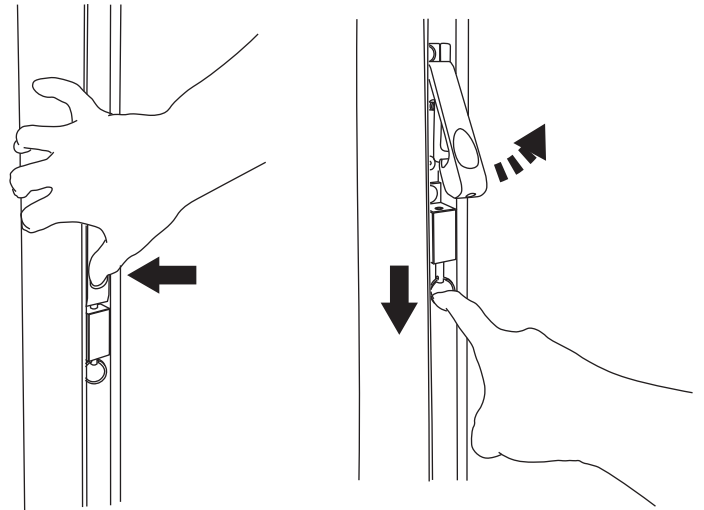
WARNING: TEAM LIFT

Use 2 people to lift and place cantilever in to position.



Step 7

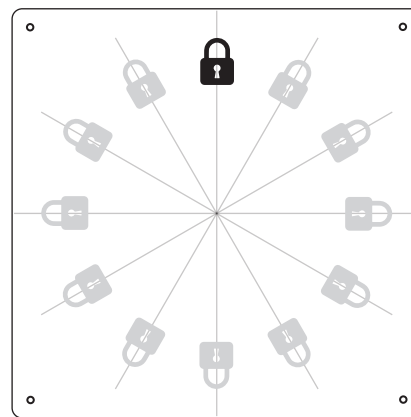
Once you have found the ideal angle and direction for the canopy, push in the **lower latch** until it locks into place.



Push latch to lock

Pull ring to unlock

Please note: the Cantilever will only lock into the Base Tube in one of 12 positions (shown here).



WARNING

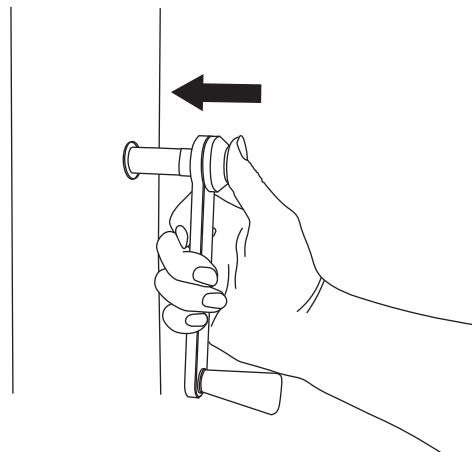
Read the operating instructions on the next page to learn how to operate your umbrella correctly.

Failure to correctly follow these operating instructions may result in injury to the operator or damage to your product. March Products and its affiliates are not responsible for damage caused by improper use or failure to follow these operating instructions.

OPERATION Opening Instructions

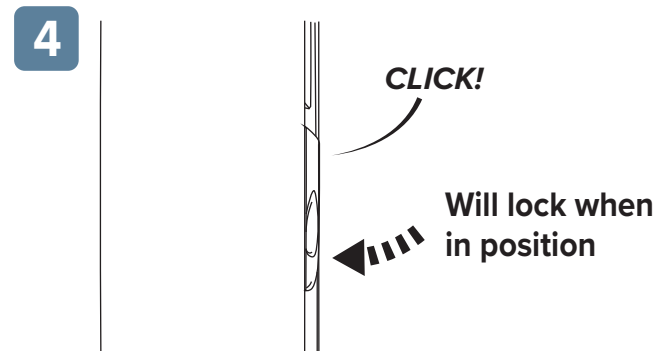
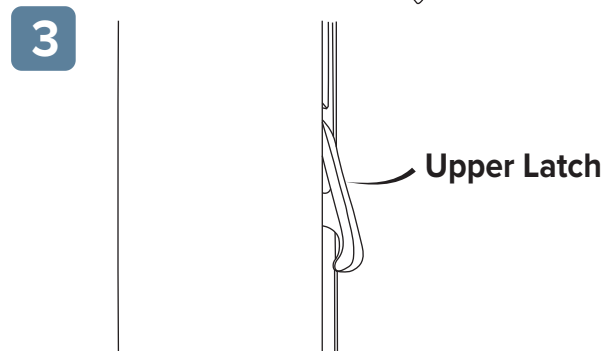
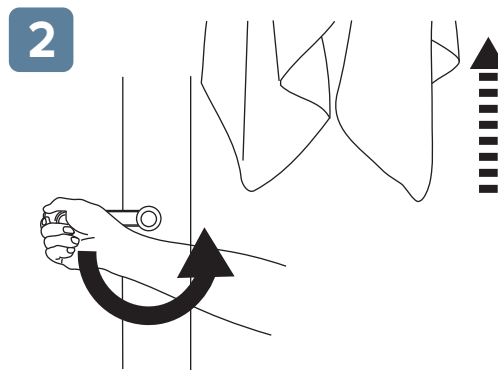
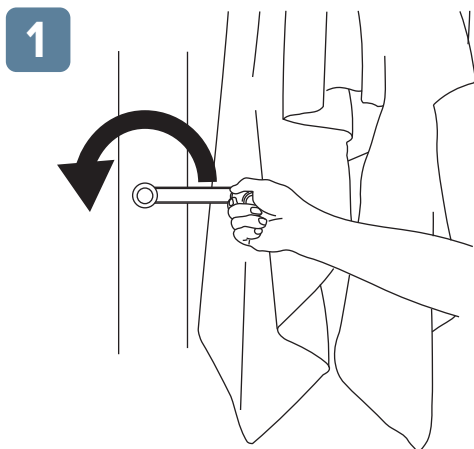
Step 1

Place your Crank Key in to the hole in the side of your Cantilever. Maintain inward pressure when turning the Crank Key to ensure it remains consistently engaged, when cranking.



Step 2

Apply moderate inward pressure to the Crank Key while cranking the key counter clockwise until the Cantilever is in the fully raised and still closed position, and the upper latch has locked into place.



WARNING

Do not let go of the Crank Key during any part of this action, until the latch has locked into place in its fully upright position. Letting go of the Crank Key may result in the Crank Key quickly spinning backward which can cause damage to your cantilever or injury to the operator.

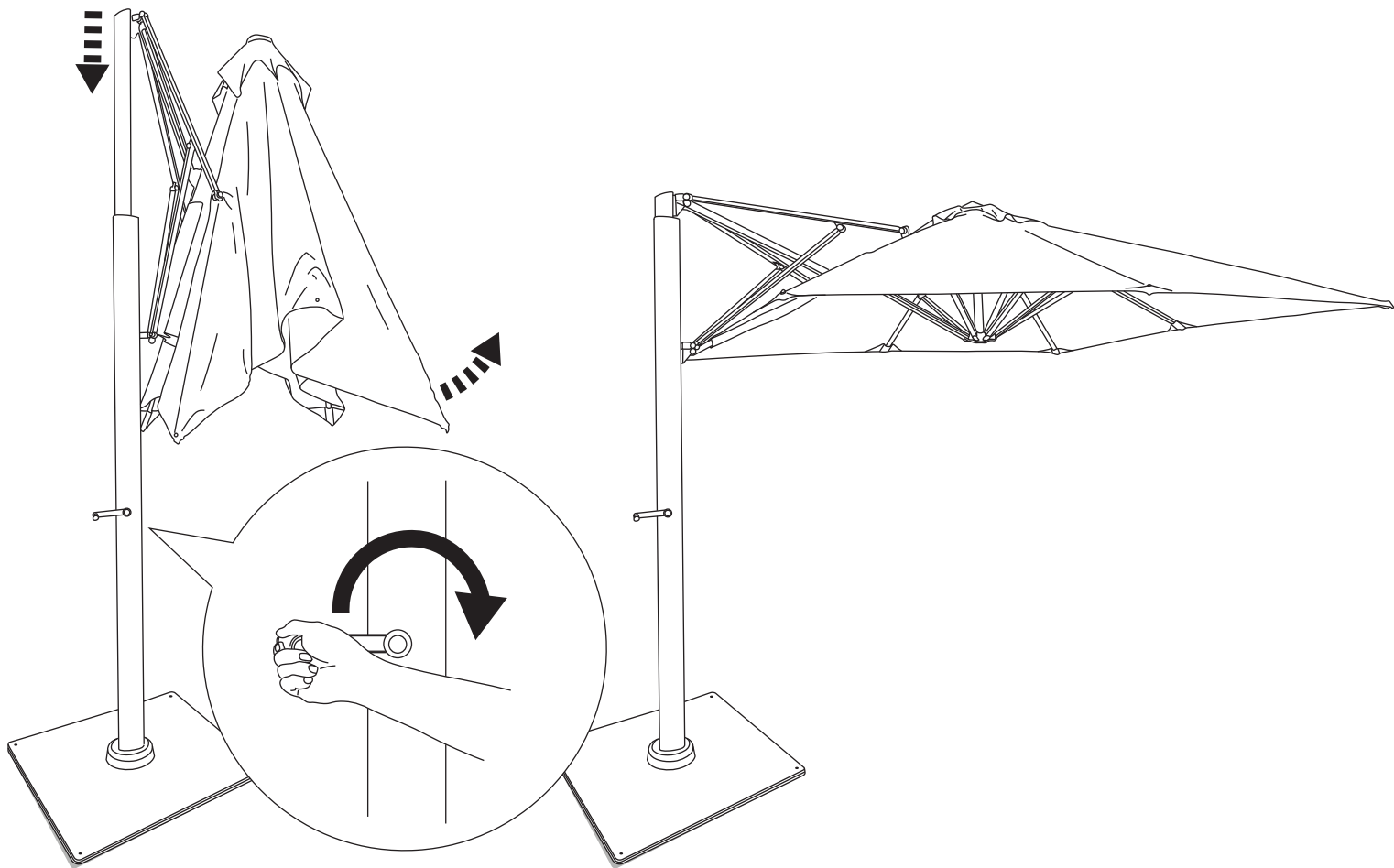


OPERATION

Opening Instructions

Step 3

Once the upper latch has locked into place, you may now crank the Crank Key clockwise to begin opening your Cantilever.



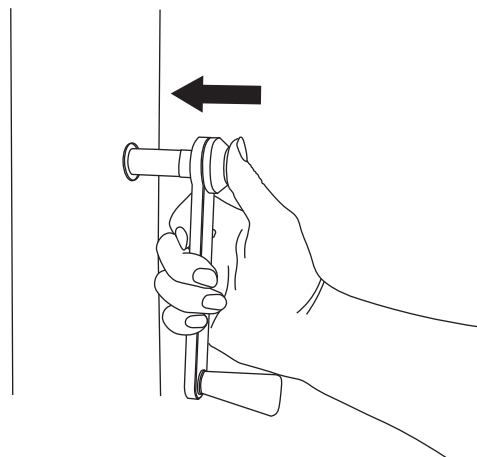
Step 4 - OPTIONAL

You may remove your Crank Key from the Cantilever hole to prevent unauthorized use and for secure keeping. If you choose to do this, be sure you remember where you place the Crank Key. The umbrella cannot be operated without it. ***Trying to operate the Cantilever with tools or foreign objects may damage your Cantilever and void the warranty.***

OPERATION Closing Instructions

Step 1

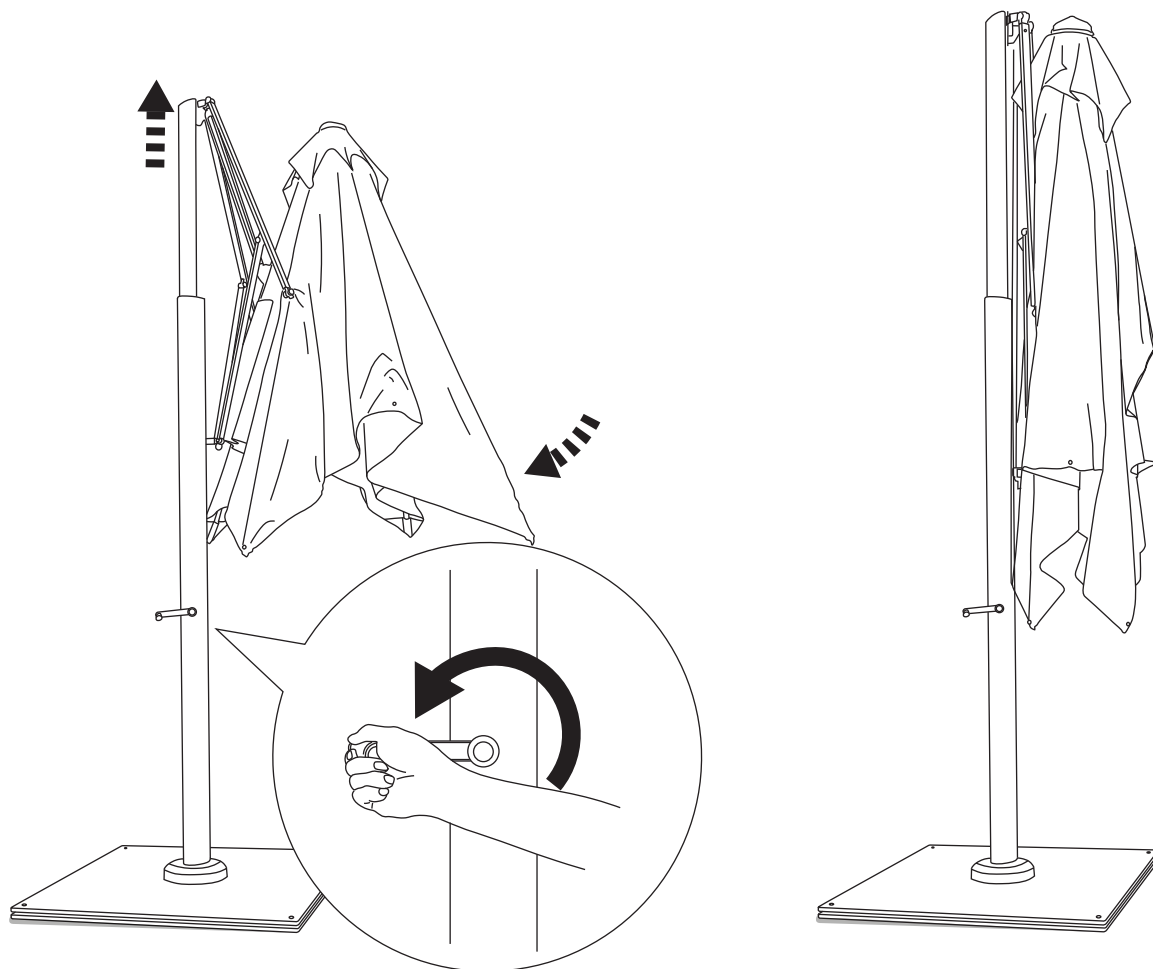
Place your Crank Key in to the hole in the side of your Cantilever.



Step 2

Apply moderate inward pressure to the Crank Key while cranking the key counterclockwise until the Cantilever is in the fully closed position.

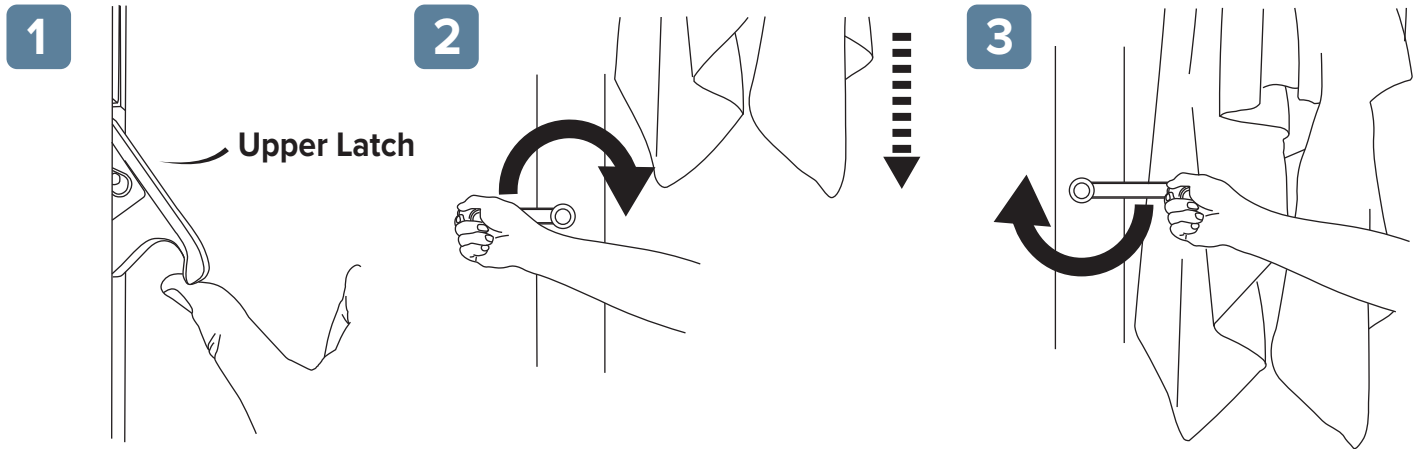
Note your Cantilever is now in **Closed Upright Position**, although it is safe to leave in this position when not in use. It is recommended that it be placed in the **Closed Shortened Position** for safest storage, and when the item will remain unused for a prolonged period of time. Please follow the following instructions to lower your Cantilever into the **Closed Shortened Position**.



OPERATION Closing Instructions

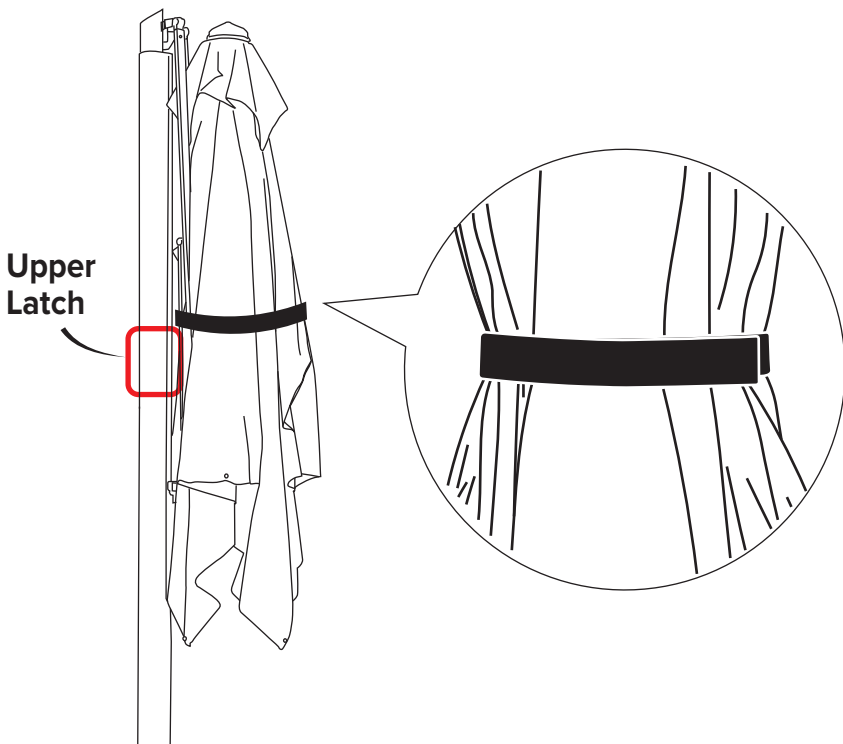
Step 3

With your hand firmly grasping the Crank Key, pull the pin at the base of the **upper latch** your other hand. While placing inward pressure on the Crank Key, crank it clockwise until the Cantilever is in the fully Closed Shortened Position.



WARNING

Do not let go of the Crank Key during any part of this action, until the Cantilever is in the fully Closed Shortened Position. Letting go of the Crank Key at any time may result in the Crank Key quickly spinning which can cause damage to your cantilever or injury to the operator.



Please Note: Your Cantilever should now be in the Closed Shortened Position. To further secure your Cantilever when not in use, place the Wind Tie around the frame and canopy while in the Closed Shortened Position. Connect the Velcro strips to hold it in place.

Note: To open your Cantilever again, simply follow the Opening Instructions again.

CARE & MAINTENANCE

Care Tips

- Use an appropriate base or anchoring system to secure the umbrella. Verify the recommended base weight for your specific model. A minimum base weight of 350 lbs is required to maintain warranty coverage in commercial use case settings and environments.
- Ensure the umbrella pole is fully and securely inserted into the base before use. Tighten any base tightening knobs to secure the umbrella. Confirm the canopy is correctly positioned and evenly seated on all frame ribs before opening.
- For umbrellas with a pin-stop collar: start at the lowest pinhole for everyday functional use. As fabric naturally stretches over time, a higher pinhole can be used for a tighter, more aesthetic fit — however, a looser fitting is recommended in commercial & breezy conditions, as it allows the fabric to flex with the wind and improves long-term durability.
- The base or anchor for the umbrella must rest on a flat, stable surface. Always move the umbrella by fully closing, uninstalling, and lifting/placing in the desired area — never drag or reposition while open.
- You may add a fabric defense to your canopy for an added layer of protection against oil and water-based stains if desired. Visit our website to purchase a bottle of Pacifica Preserve and Protect Fabric Defense.

General Warnings

- A minimum base weight of 350 lbs is required to maintain warranty coverage for anchor-related incidents. Always verify the recommended base weight for your specific umbrella model.
- May cause damage or injury when used improperly.
- Not meant for use in windy or inclement weather conditions. Always close and secure the umbrella before any high-wind event or storm.
- When not in use, close the canopy, cover, and store outdoor furniture in a dry and clean area.
- Do not use harsh cleaning products on the surface of your frame or canopy.

CARE & MAINTENANCE

How to Clean

- **Frame**

- To keep the frame looking its best, wipe with a clean damp cloth and a solution of mild soap and water¹. Dry thoroughly with a clean dry cloth. While the canopy is installed, use a soft bristle brush to regularly remove loose dirt, leaves, and debris.
- To remove water spots, scrub the frame with a clean cloth or soft bristle brush using a solution of white vinegar and water². Dry thoroughly with a clean dry cloth.

- **Canopy**

- While the canopy is installed, use a soft bristle brush to regularly remove loose dirt, leaves, and other debris from the fabric.
- For spills and stains, spray a mild cleaning solution of mild soap and water¹ and scrub with a soft bristle brush or clean cloth.
- For more severe cases, use Pacifica: Restore and Renew Fabric Cleaner. Spray 10 inches from the surface, scrub with a soft bristle brush, and thoroughly rinse with clean water.
- Machine Wash Cold and Air Dry Only.

- **Cleaning Solution**

- Mild Soap and Water¹: ¼ cup mild soap : 1 gallon water
- White Vinegar and Water²: 1 cup vinegar : 1 cup water