

**CALIFORNIA  
UMBRELLA**

INSTRUCTION MANUAL  
**SHADE LEGACY SERIES**  
SMPF758



Question about your product? Visit [www.californiaumbrella.com](http://www.californiaumbrella.com) and chat with us today.

# COMPONENTS

---

## Box Contents

**1** Frame + Canopy



**2** Bottom Pole



# INSTALLATION

---

---

## WARNING

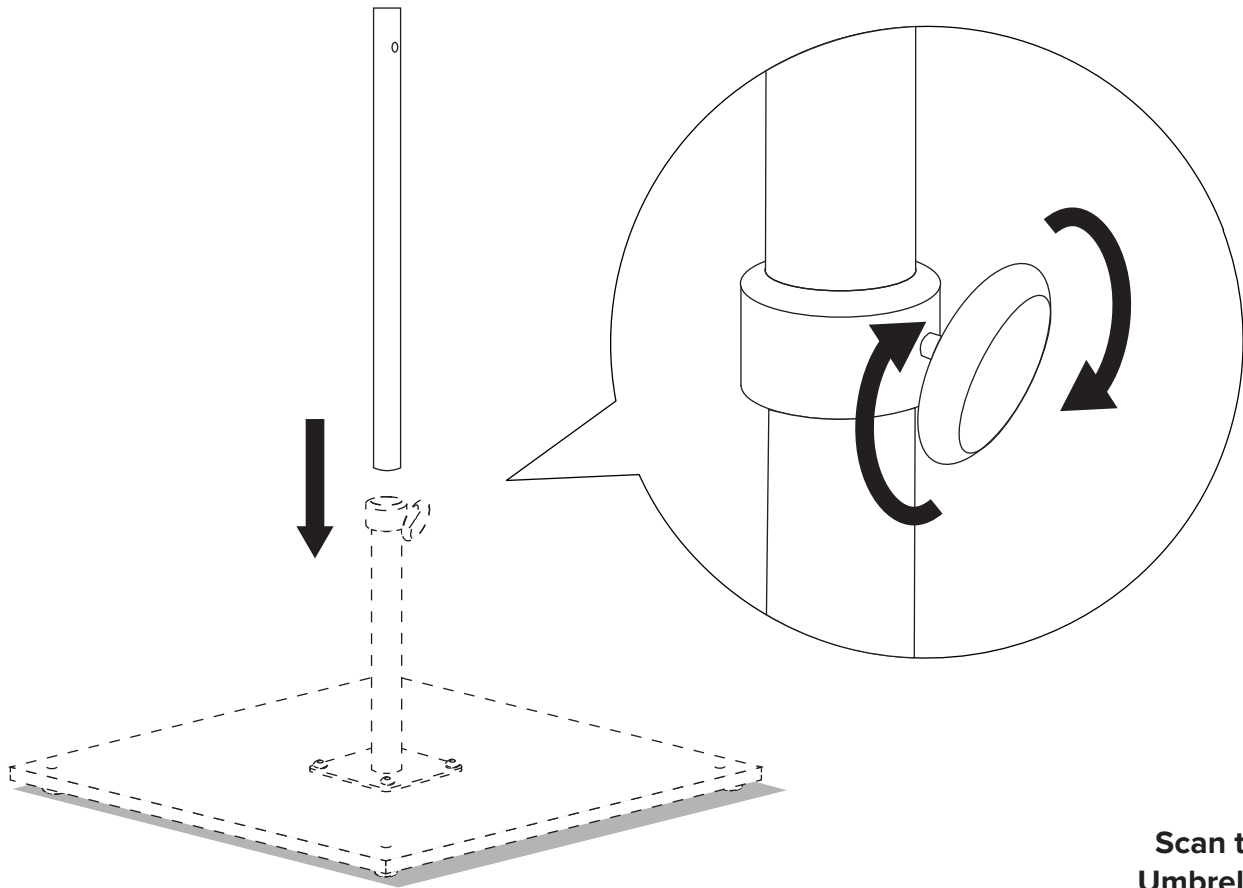
***Base is required for this umbrella and sold separately.***

*Umbrella should always be closed and secure with wind-tie in windy conditions*

---

### Step 1

Secure the umbrella bottom pole to a compatible base (sold separately).



Scan to Shop  
Umbrella Bases



# INSTALLATION

## Step 2

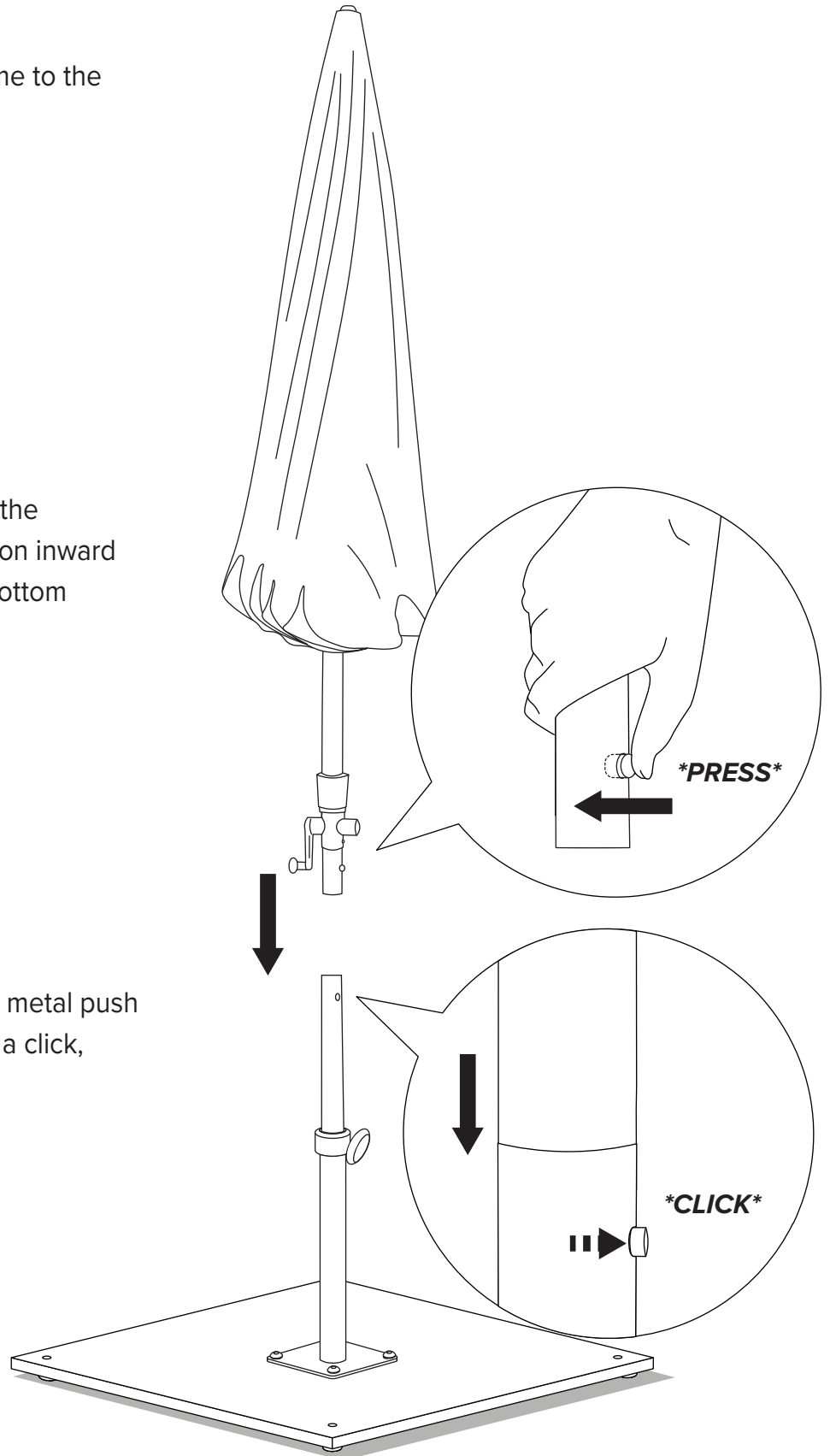
Align the bottom portion of the frame to the opening of the bottom pole.

## Step 3

Locate the metal push button near the bottom of the frame. Press the button inward while inserting the frame into the bottom pole.

## Step 4

Slowly rotate the frame to align the metal push button with the hole. Once there is a click, both parts are secured.

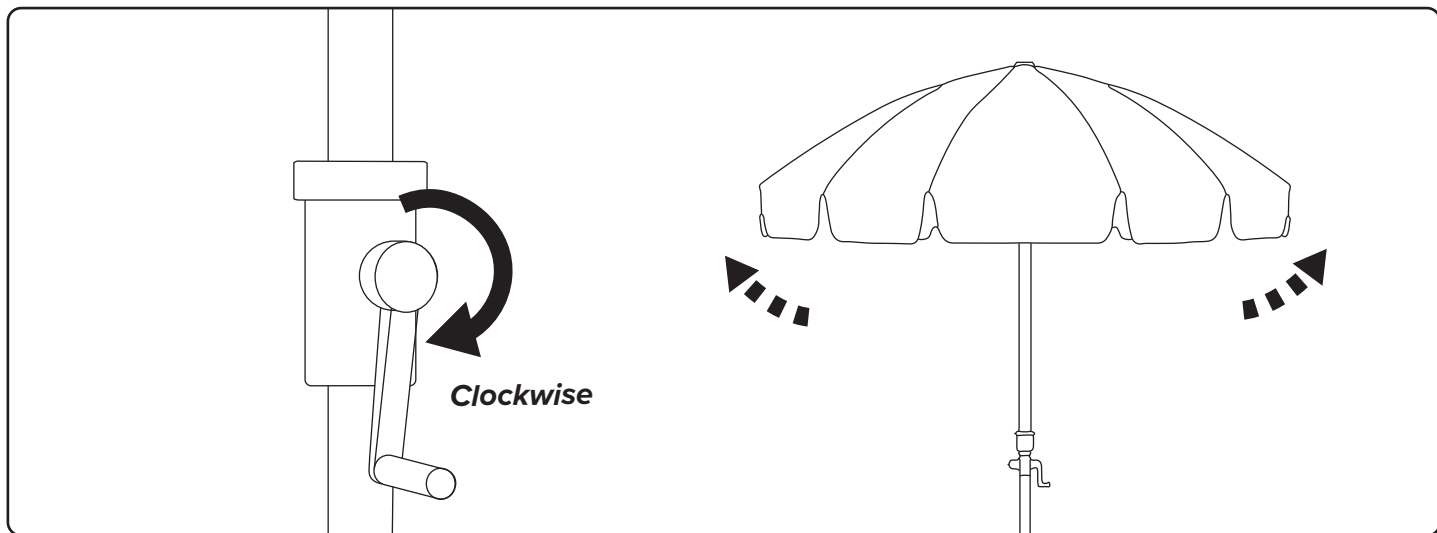


# OPERATION Opening and Closing Umbrella

---

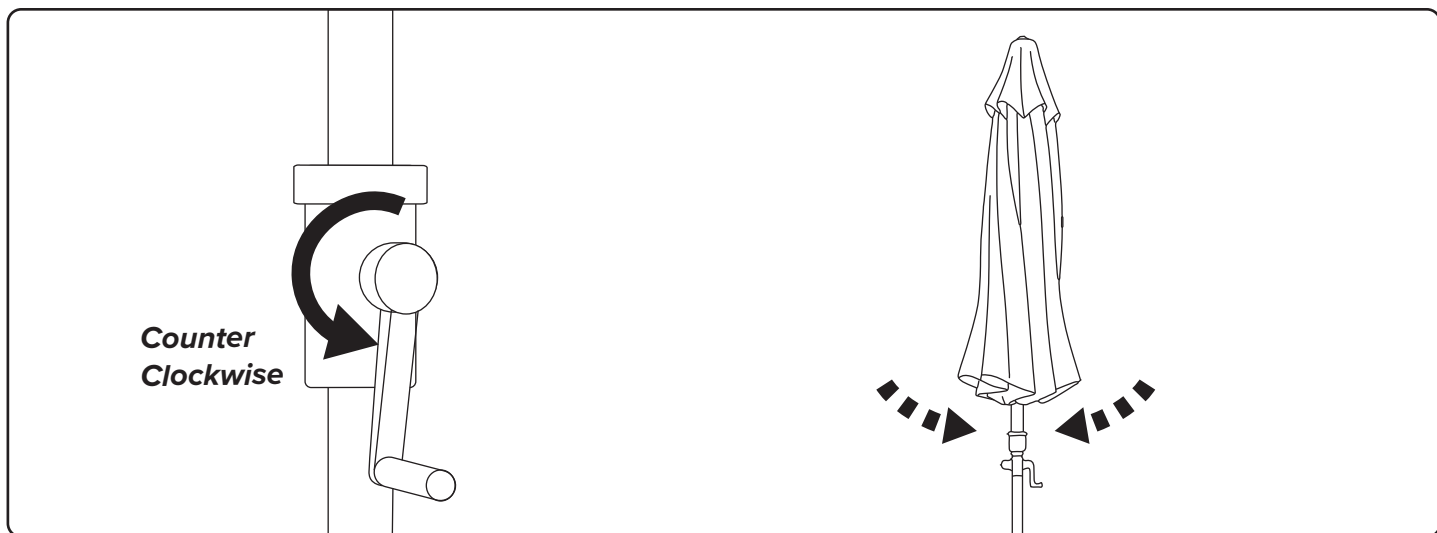
## Opening

Turn the crank handle clockwise until the umbrella is fully open.



## Closing

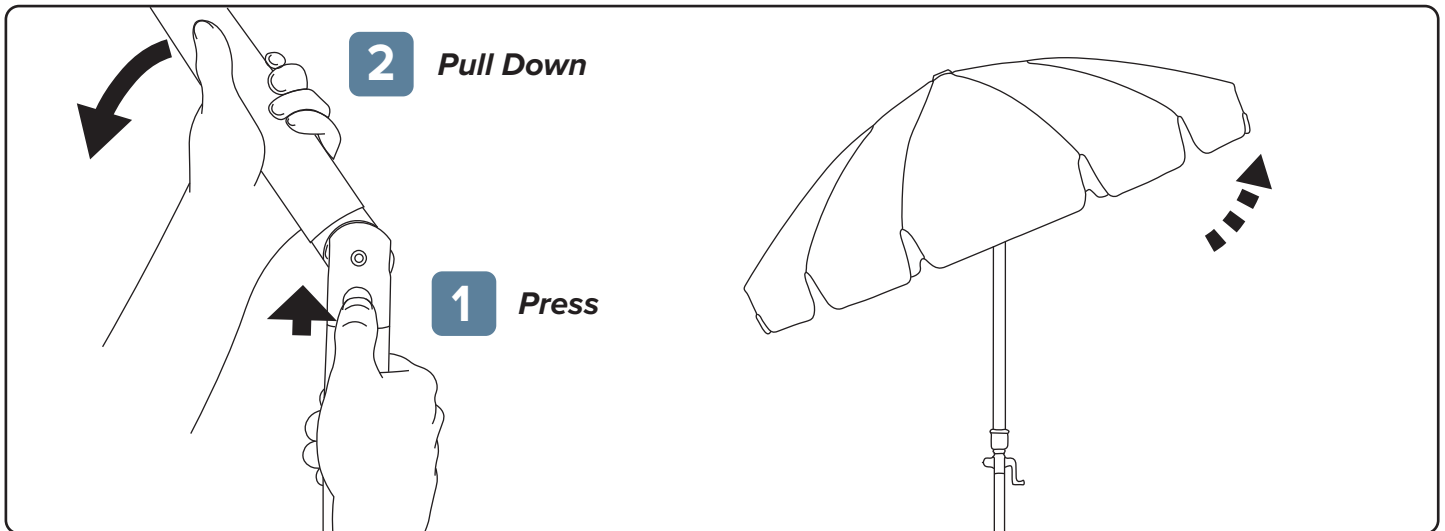
Turn the crank handle counterclockwise until the umbrella is fully closed, please operate slowly to avoid injury.



# OPERATION Tilting Umbrella

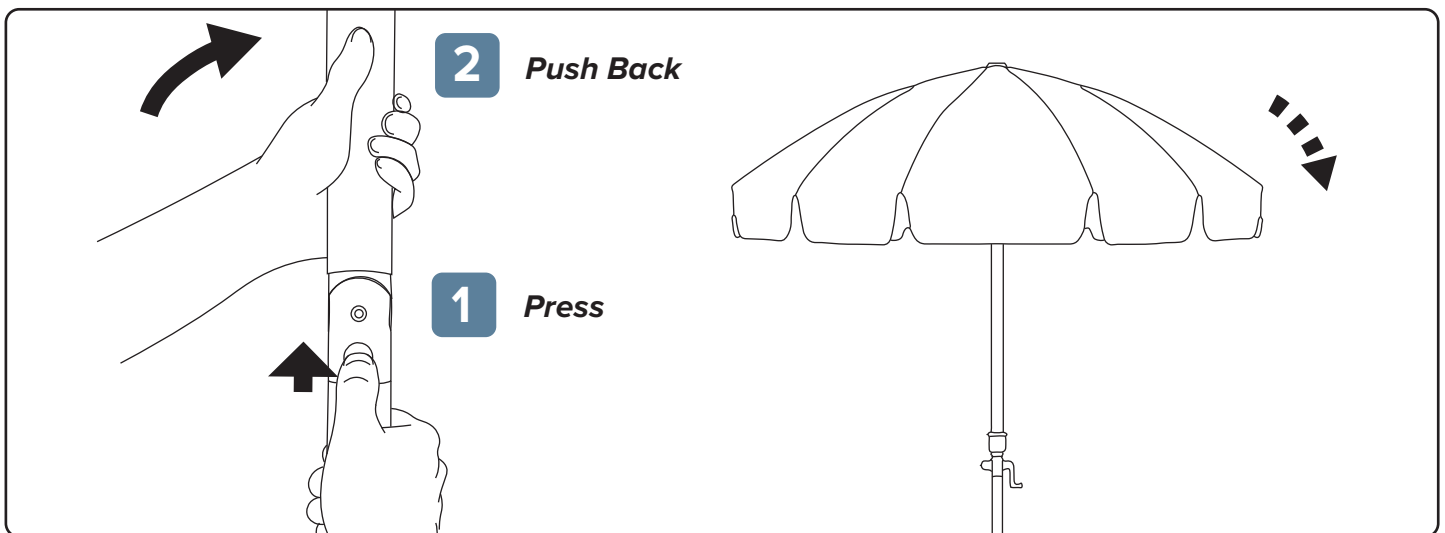
## Engage Tilt

With the umbrella fully open, locate the tilt button below the hub of the umbrella. Press the button to release the lock, then gently guide the top of the main frame down to tilt. Release the button to lock the position.



## Disengage Tilt

Press the tilt button to release the lock, gently guide the main frame upward to an upright position. Release the button to lock the position.



# CARE & MAINTENANCE

---

## Care Tips

- Use an appropriate base or anchoring system to secure the umbrella. Verify the recommended base weight for the item.
- Base and umbrella are meant to lay on a flat surface.
- Always move the umbrella by uninstalling and lifting/placing in desired area.
- Add a fabric defense to your umbrella canopy for an added layer of protection against oil and water-based stains. Visit our website to purchase a bottle of Pacifica Preserve and Protect Fabric Defense.

## General Warnings

- The appropriate base or anchoring system is needed to provide stability for the umbrella. Please verify the recommended base weight for the item.
- May cause damage or injury when used improperly.
- Not meant for commercial use.
- Not meant for use in windy or inclement weather conditions.
- When not in use, cover and store outdoor furniture in a dry and clean area.
- Do not use harsh cleaning products on the surface of your frame or canopy.

## How to Clean

- **Frame**
  - To keep the umbrella frame looking new, wipe the frame with a clean damp cloth and a solution of *mild soap and water*<sup>1</sup>. Dry with a clean dry cloth. While canopy is installed, use a soft bristle brush to regularly remove any loose dirt, leaves, and other debris from fabric.
  - To remove water spots, use a clean cloth or soft bristle brush to scrub the frame with a solution of *white vinegar and water*<sup>2</sup>. Dry with a clean dry cloth.
- **Canopy**
  - While canopy is installed, use a soft bristle brush to regularly remove any loose dirt, leaves, or other debris from the fabric.
  - For spills and stains, spray a mild cleaning solution of *mild soap and water*<sup>1</sup> and scrub with a soft bristle brush or a clean cloth.
  - For more severe cases, purchase the Pacifica: Restore and Renew Fabric Cleaner. Spray the canvas 10 inches way from the surface, use a soft bristle brush to scrub the fabric. Thoroughly remove any residue with clean water.
  - Machine Wash Cold and Air Dry Only.
- **Cleaning Solution**
  - Mild Soap and Water: ¼ cup mild soap : 1 gallon water
  - White Vinegar and Water: 1 cup vinegar : 1 cup water

# WARRANTY

---

## Overview

California Umbrella's limited warranty gives you specific legal rights and you may also have other rights, which vary from state to state.

This limited warranty can also be found at [www.californiaumbrella.com/en/terms-of-sales#warranty](http://www.californiaumbrella.com/en/terms-of-sales#warranty) and in the documentation we provide with the products.

We warrant that during the warranty period, the individual components of the products purchased from the site will be free from defects in materials and workmanship.

We limit the duration and remedies of all implied warranties, including without limitation the warranties of merchantability and fitness for a particular purpose, to the duration of this limited warranty. Our responsibility for defective products is limited to repair, replacement or refund as set forth in this warranty statement. Neither any performance or other conduct, nor any oral or written information, statement or advice provided by us, our agents, or employees will create a warranty, or in any way increase the scope or duration of this limited warranty.

## Frames

- Aluminum frames: 1-year limited warranty
- Fiberglass Ribs: 3-year limited warranty
- If a residential grade umbrella is used for commercial purposes, the warranty is reduced to 90 days.

## Canopies

- All canopies: 1-year limited workmanship warranty
- Olefin fabric: 1-year limited warranty
- Pacifica fabric : 4-year limited warranty
- Sunbrella fabric : 5-year limited warranty
- Sunbrella Awning fabric : 10-year limited warranty

Contact us through our ticketing system on [californiaumbrella.com](http://californiaumbrella.com) for warranty inquiries.