

**CALIFORNIA  
UMBRELLA**

INSTRUCTION MANUAL  
**PACIFIC TRAIL SERIES**  
GSPT908/758/608

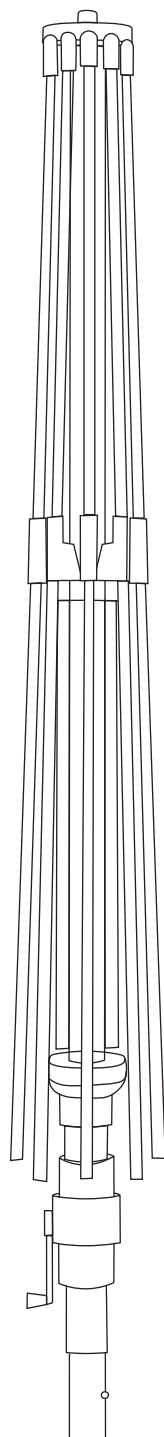


Question about your product? Visit [www.californiaumbrella.com](http://www.californiaumbrella.com) and chat with us today.

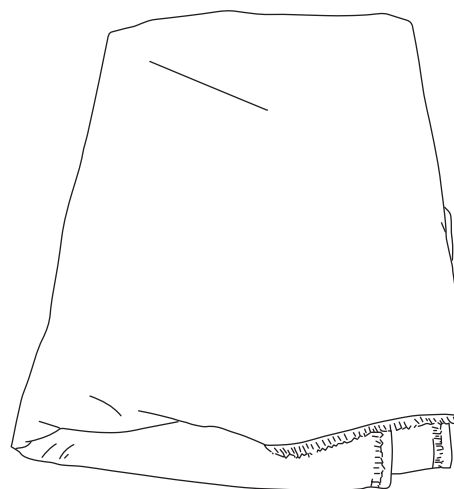
# COMPONENTS

## Box Contents

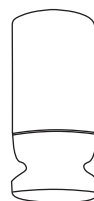
**1** Umbrella Frame



**2** Canopy Cover



**3** Finial Cap



**4** Bottom Pole

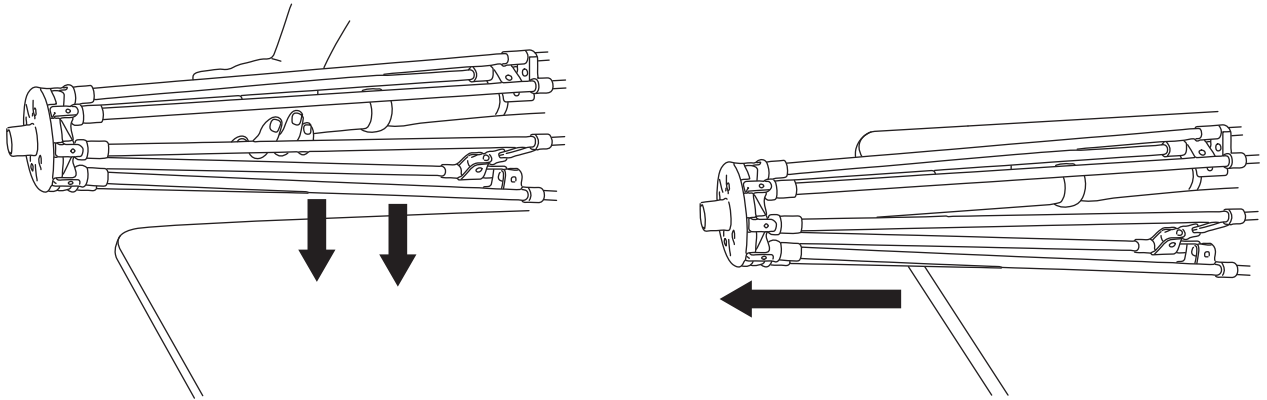


# CANOPY ASSEMBLY

---

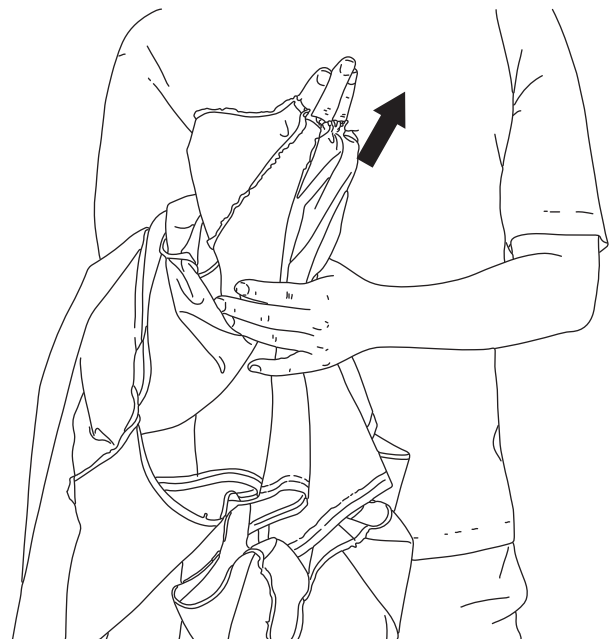
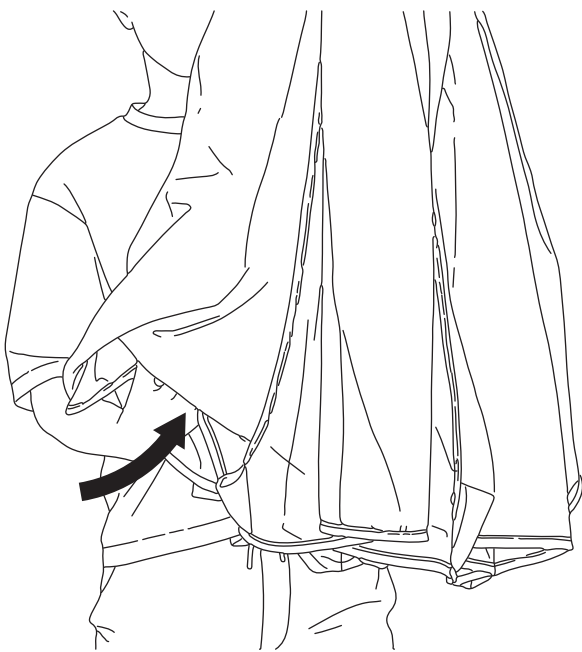
## Step 1

Place the umbrella frame on a stable, elevated surface with the top of the frame extending over the edge.



## Step 2

Unfold the canopy. Insert one arm underneath the canopy and locate the small opening at the center. Please note, the canopy should be inside out in this step.

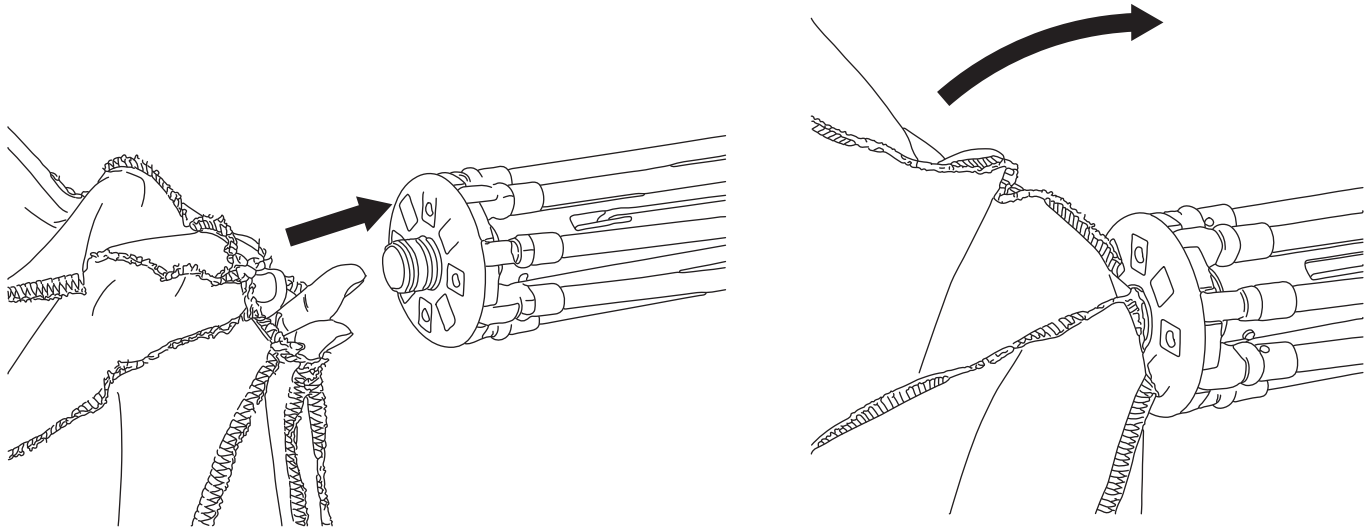


# CANOPY ASSEMBLY

---

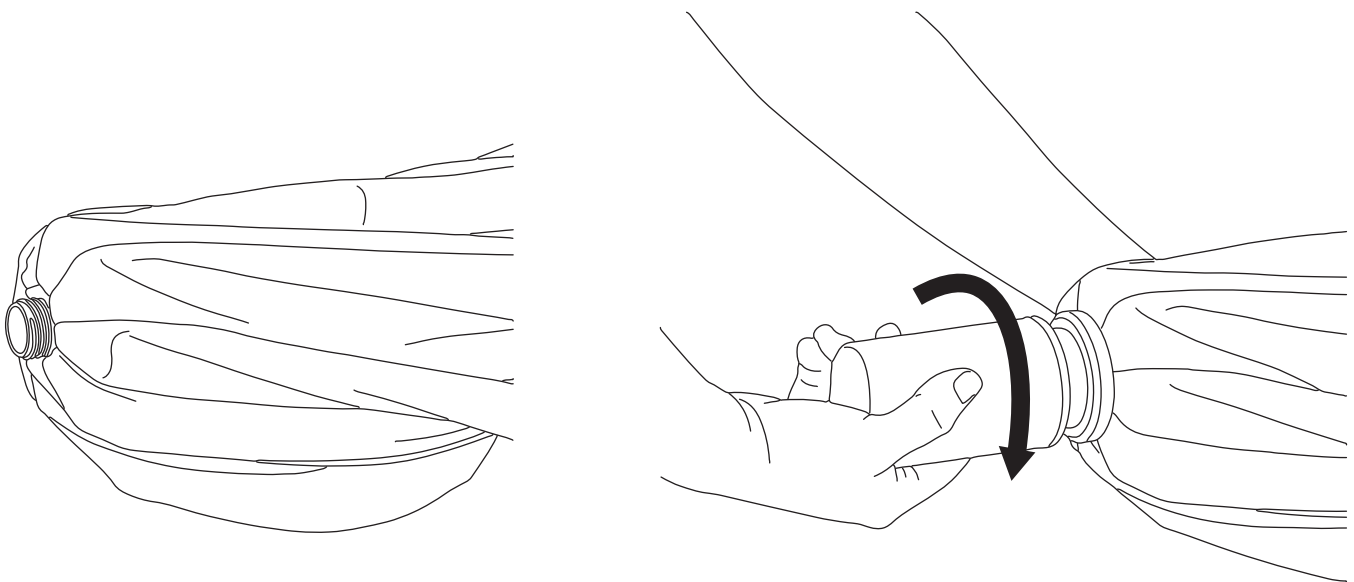
## Step 3

Use the same hand that is inside the canopy to grip the protruding thread at top of the frame. While maintaining the grip, use the other hand to flip the canopy over the frame.



## Step 4

Adjust the small opening of the canopy until the threaded end is fully exposed. Screw the finial cap on clockwise to secure the canopy.

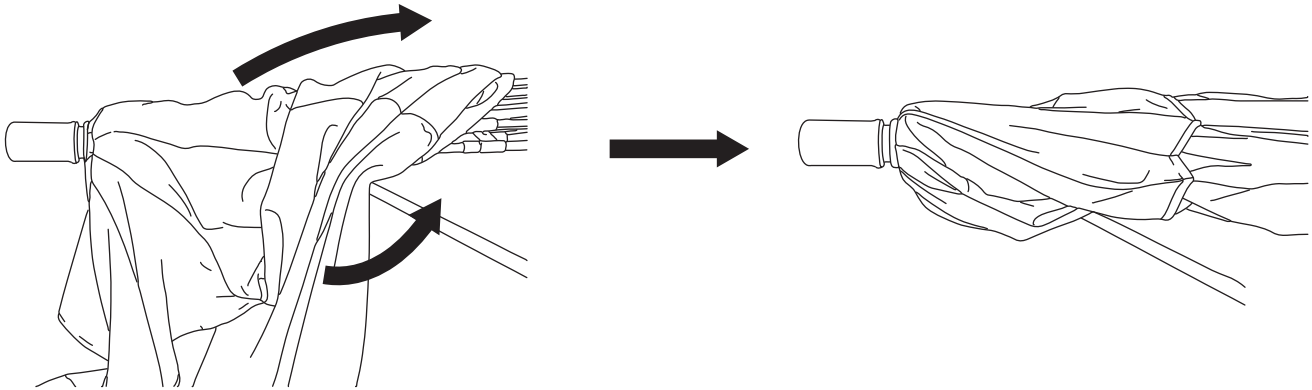


# CANOPY ASSEMBLY

---

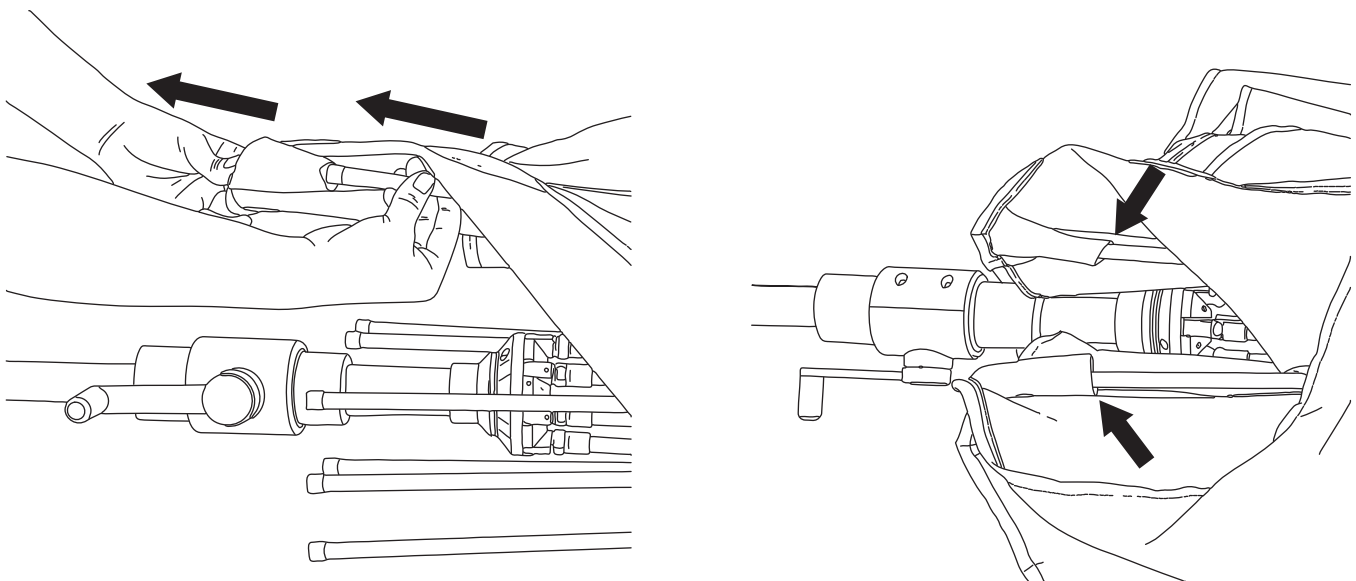
## Step 5

Temporarily lift the assembled frame and canopy to allow the canopy to fully drape over the frame.



## Step 6

Locate the rib pockets at the bottom of the canopy. One at a time, pull each pocket down and insert the corresponding rib to complete the assembly. To remove the canopy, follow these steps in reverse order.



# INSTALLATION

---

---

## WARNING

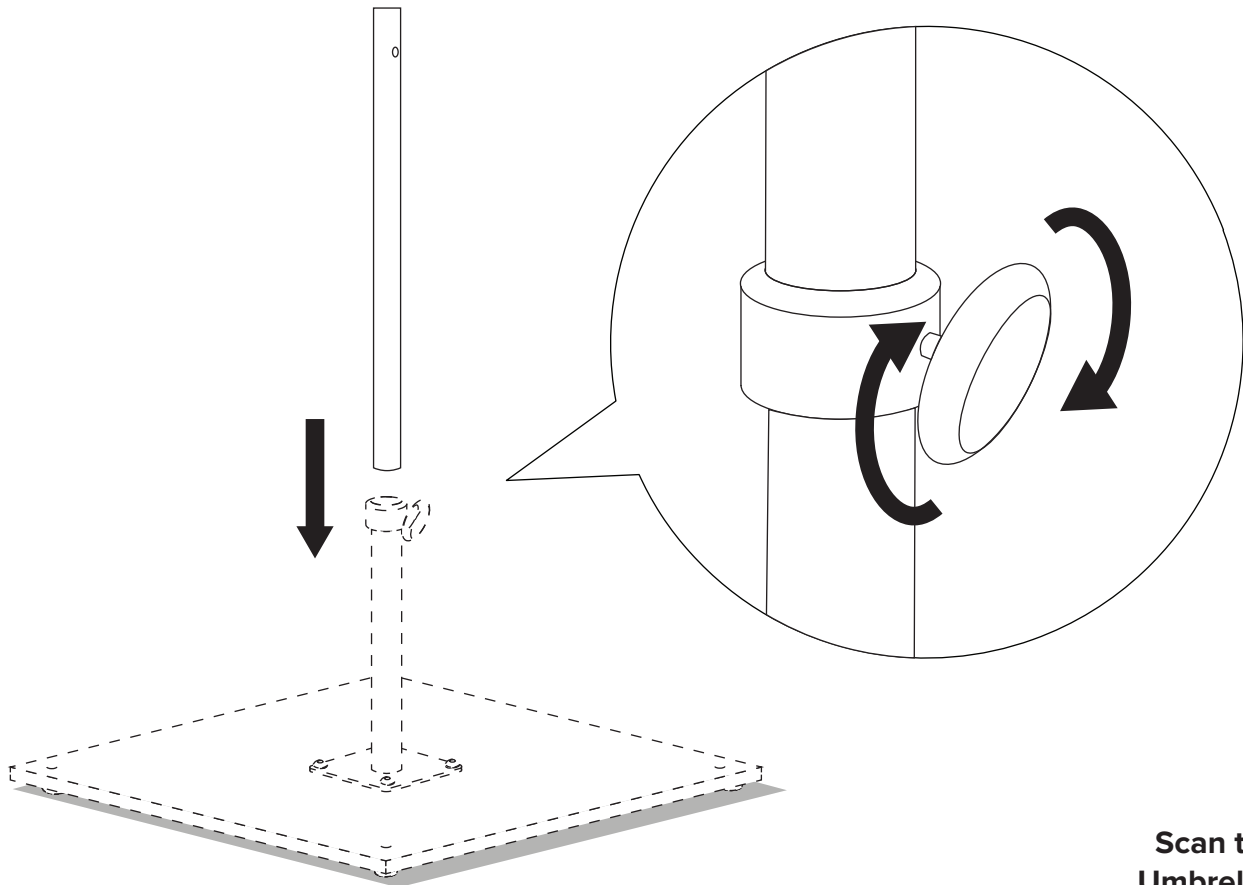
***Base is required for this umbrella and sold separately.***

*Umbrella should always be closed and secure with wind-tie in windy conditions*

---

### Step 1

Secure the umbrella bottom pole to a compatible base (sold separately).



Scan to Shop  
Umbrella Bases



# INSTALLATION

## Step 2

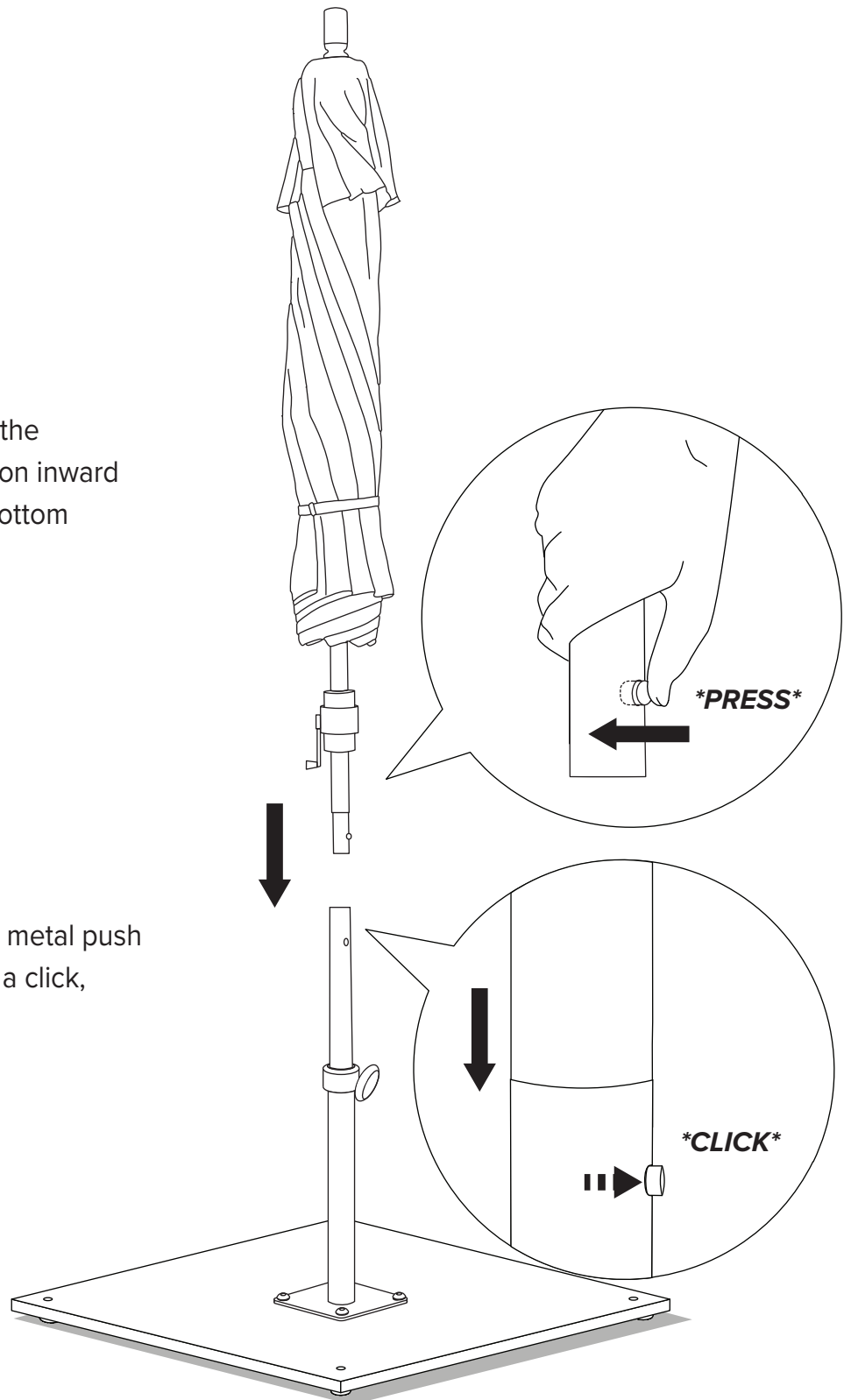
Align the bottom portion of the frame to the opening of the bottom pole.

## Step 3

Locate the metal push button near the bottom of the frame. Press the button inward while inserting the frame into the bottom pole.

## Step 4

Slowly rotate the frame to align the metal push button with the hole. Once there is a click, both parts are secured.

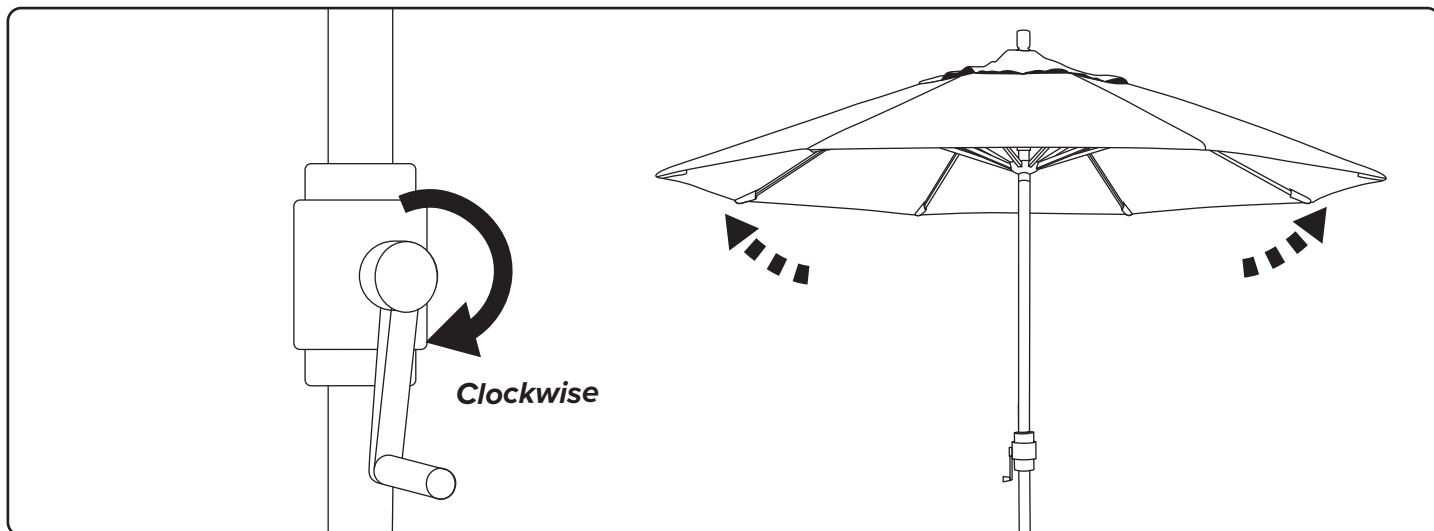


# OPERATION Opening and Closing Umbrella

---

## Opening

Turn the crank handle clockwise until the umbrella is fully open.



## Closing

Turn the crank handle counterclockwise until the umbrella is fully closed, please operate slowly to avoid injury.

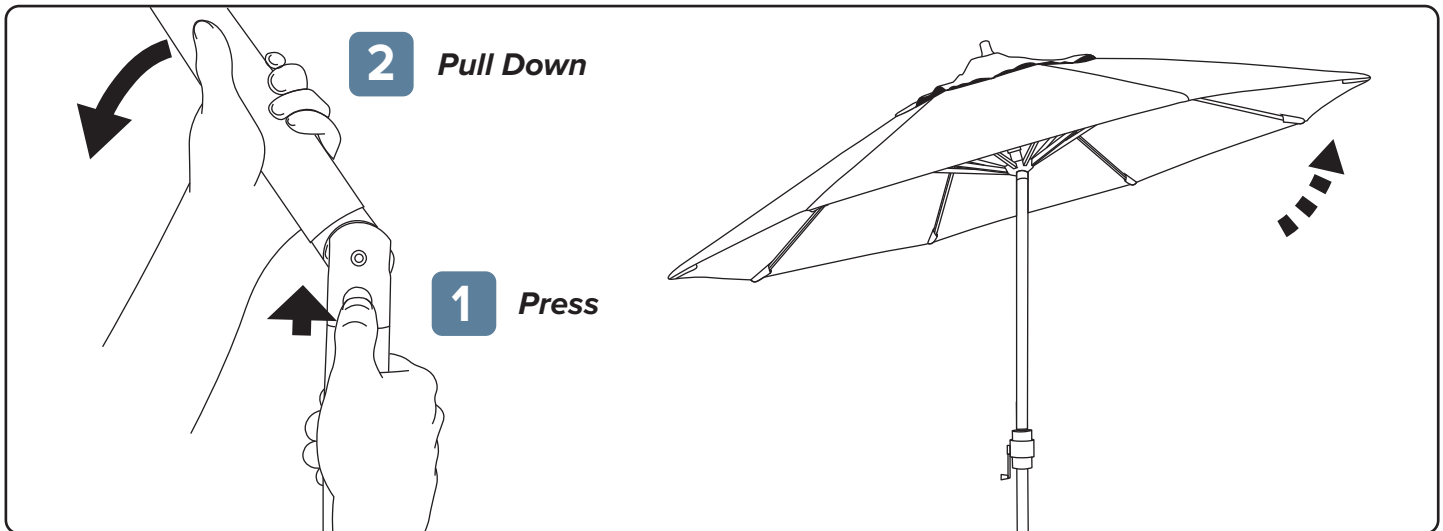




# OPERATION Tilting Umbrella

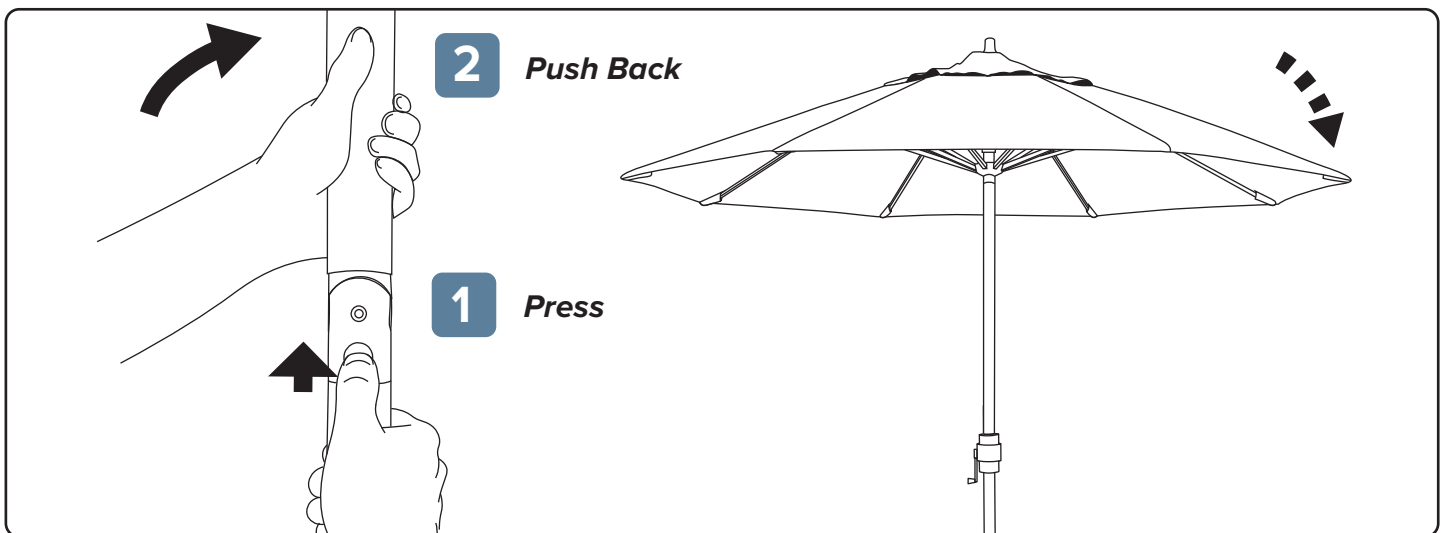
## Engage Tilt

With the umbrella fully open, locate the tilt button below the hub of the umbrella. Press the button to release the lock, then gently guide the top of the main frame down to tilt. Release the button to lock the position.



## Disengage Tilt

Press the tilt button to release the lock, gently guide the main frame upward to an upright position. Release the button to lock the position.



# CARE & MAINTENANCE

---

## Care Tips

- Use an appropriate base or anchoring system to secure the umbrella. Verify the recommended base weight for the item.
- Base and umbrella are meant to lay on a flat surface.
- Always move the umbrella by uninstalling and lifting/placing in desired area.
- Add a fabric defense to your umbrella canopy for an added layer of protection against oil and water-based stains. Visit our website to purchase a bottle of Pacifica Preserve and Protect Fabric Defense.

## General Warnings

- The appropriate base or anchoring system is needed to provide stability for the umbrella. Please verify the recommended base weight for the item.
- May cause damage or injury when used improperly.
- Not meant for commercial use.
- Not meant for use in windy or inclement weather conditions.
- When not in use, cover and store outdoor furniture in a dry and clean area.
- Do not use harsh cleaning products on the surface of your frame or canopy.

## How to Clean

- **Frame**
  - To keep the umbrella frame looking new, wipe the frame with a clean damp cloth and a solution of *mild soap and water*<sup>1</sup>. Dry with a clean dry cloth. While canopy is installed, use a soft bristle brush to regularly remove any loose dirt, leaves, and other debris from fabric.
  - To remove water spots, use a clean cloth or soft bristle brush to scrub the frame with a solution of *white vinegar and water*<sup>2</sup>. Dry with a clean dry cloth.
- **Canopy**
  - While canopy is installed, use a soft bristle brush to regularly remove any loose dirt, leaves, or other debris from the fabric.
  - For spills and stains, spray a mild cleaning solution of *mild soap and water*<sup>1</sup> and scrub with a soft bristle brush or a clean cloth.
  - For more severe cases, purchase the Pacifica: Restore and Renew Fabric Cleaner. Spray the canvas 10 inches way from the surface, use a soft bristle brush to scrub the fabric. Thoroughly remove any residue with clean water.
  - Machine Wash Cold and Air Dry Only.
- **Cleaning Solution**
  - Mild Soap and Water: ¼ cup mild soap : 1 gallon water
  - White Vinegar and Water: 1 cup vinegar : 1 cup water

# WARRANTY

---

## Overview

California Umbrella's limited warranty gives you specific legal rights and you may also have other rights, which vary from state to state.

This limited warranty can also be found at [www.californiaumbrella.com/en/terms-of-sales#warranty](http://www.californiaumbrella.com/en/terms-of-sales#warranty) and in the documentation we provide with the products.

We warrant that during the warranty period, the individual components of the products purchased from the site will be free from defects in materials and workmanship.

We limit the duration and remedies of all implied warranties, including without limitation the warranties of merchantability and fitness for a particular purpose, to the duration of this limited warranty. Our responsibility for defective products is limited to repair, replacement or refund as set forth in this warranty statement. Neither any performance or other conduct, nor any oral or written information, statement or advice provided by us, our agents, or employees will create a warranty, or in any way increase the scope or duration of this limited warranty.

## Frames

- Aluminum frames: 1-year limited warranty
- Fiberglass Ribs: 3-year limited warranty
- If a residential grade umbrella is used for commercial purposes, the warranty is reduced to 90 days.

## Canopies

- All canopies: 1-year limited workmanship warranty
- Olefin fabric: 1-year limited warranty
- Pacifica fabric : 4-year limited warranty
- Sunbrella fabric : 5-year limited warranty
- Sunbrella Awning fabric : 10-year limited warranty

Contact us through our ticketing system on [californiaumbrella.com](http://californiaumbrella.com) for warranty inquiries.